

HX601D Digital Pressure Gauge

HX601D Digital Pressure Gauge adopts micropower components and unique software processing technology. Adopting dry battery powered, it could work 24 hrs continuously for 2 years. With 5 digits big LCD, the data could be showed more clearly. Every HX601D passed the high and lower temperature aging, so It could assure the products precision more reliable. It has been used in the industries of power, chemical, petrol, metallurgy, metering, etc.



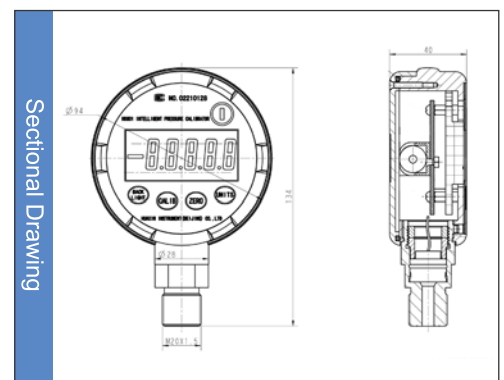
Continuously work 17520 hours

Features

- Low power consumption, three dry battery could work 17520 hours continuously
- Adopt the special software treatment technology, unnecessary to preheat
- RS232 Communication port, communicate with the computer conveniently
- Pressure bar graph to provide the users with a quick visual estimation of pressure output
- Zero point, full scale calibration function
- Stainless steel bottom connection keeps robustness
- Equipped with rugged aluminum alloy cover and lighter weight
- 5 digits big LCD with backlight
- 9 Pressure units selectable
- Temperature compensating
- Overload alarm function
- CE approved.

Technical specification

- Accuracy : $\pm 0.05\%F.S.$, $\pm 0.1\%F.S.$, $\pm 0.2\%F.S.$
- Pressure range: (-1-0) bar, (0-700) bar, (any range within these two range)
- Temperature compensating range: (0~50)°C
- 9 engineering units kPa, Pa ,psi, kg/cm², bar, mbar, mmH₂O,mmHg, MPa.
- Display: 5 digits with 14mm character height
- Connection: M20×1.5 or 1/4"NPT male thread (or customized)
- Dimensions: $\Phi 94\text{mm} \times 40\text{mm}$.Total height:135mm
- Weight:0.5kg



Digital Pressure Gauge Selection Sheet

NO.	Pressure range	Accuracy(%F.S)		Resolution	Pressure type
1	(-1-0)bar	0.05	0.1	0.0001bar	G
2	(0-50)mbar	0.05	0.1	0.001mbar	D,G
3	(0-100)mbar	0.05	0.1	0.01mbar	D,G
4	(0-160)mbar	0.05	0.1	0.01mbar	G
5	(0-200)mbar	0.05	0.1	0.01mbar	G
6	(0-250)mbar	0.05	0.1	0.01mbar	G
7	(0-400)mbar	0.05	0.1	0.01mbar	G
8	(0-600)mbar	0.05	0.1	0.01mbar	G
9	(0-1)bar	0.05	0.1	0.0001bar	G,A
10	(0-1.6)bar	0.05	0.1	0.0001bar	G
11	(0-2.5)bar	0.05	0.1	0.0001bar	G
12	(0-4)bar	0.05	0.1	0.0001bar	G
13	(0-6)bar	0.05	0.1	0.0001bar	G
14	(0-10)bar	0.05	0.1	0.001bar	G
15	(0-16)bar	0.05	0.1	0.001bar	G
16	(0-25)bar	0.05	0.1	0.001bar	G
17	(0-40)bar	0.05	0.1	0.001bar	SG
18	(0-60)bar	0.05	0.1	0.001bar	SG
19	(0-100)bar	0.05	0.1	0.01bar	SG
20	(0-160)bar	0.05	0.1	0.01bar	SG
21	(0-200)bar	0.05	0.1	0.01bar	SG
22	(0-250)bar	0.05	0.1	0.01bar	SG
23	(0-300)bar	0.05	0.1	0.01bar	SG
24	(0-400)bar	0.05	0.1	0.01bar	SG
25	(0-600)bar	0.05	0.1	0.01bar	SG
26	(0-700)bar	0.05	0.1	0.01bar	SG

G=gauge pressure; SG=sealed gauge pressure; D= differential pressure; A=absolute pressure

Compound Pressure Selection Sheet

NO.	Pressure range	Accuracy(%F.S)		Resolution	Pressure type
1	(-50-50)mbar	0.05	0.1	0.001mbar	D,G
2	(-100-100)mbar	0.05	0.1	0.01mbar	D,G
3	(-200-200)mbar	0.05	0.1	0.01mbar	G
4	(-400-400)mbar	0.05	0.1	0.01mbar	G
5	(-600-600)mbar	0.05	0.1	0.01mbar	G
6	(-1-1)bar	0.05	0.1	0.0001bar	G
7	(-1-16)bar	0.05	0.1	0.001bar	G
8	(-1-25)bar	0.05	0.1	0.001bar	G